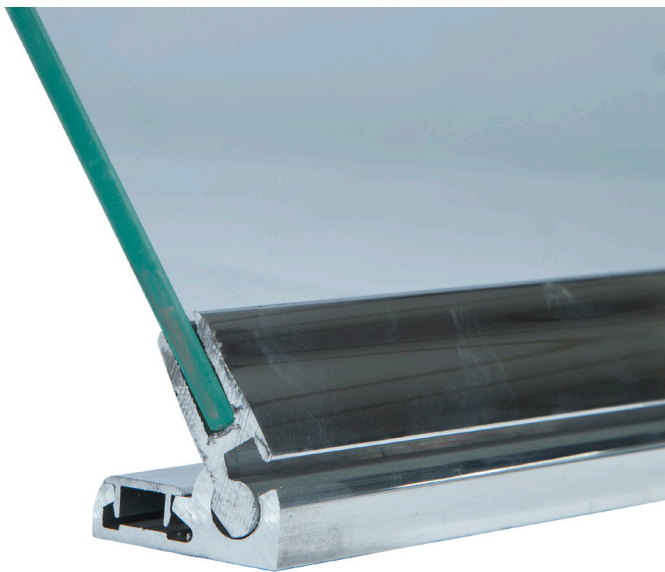
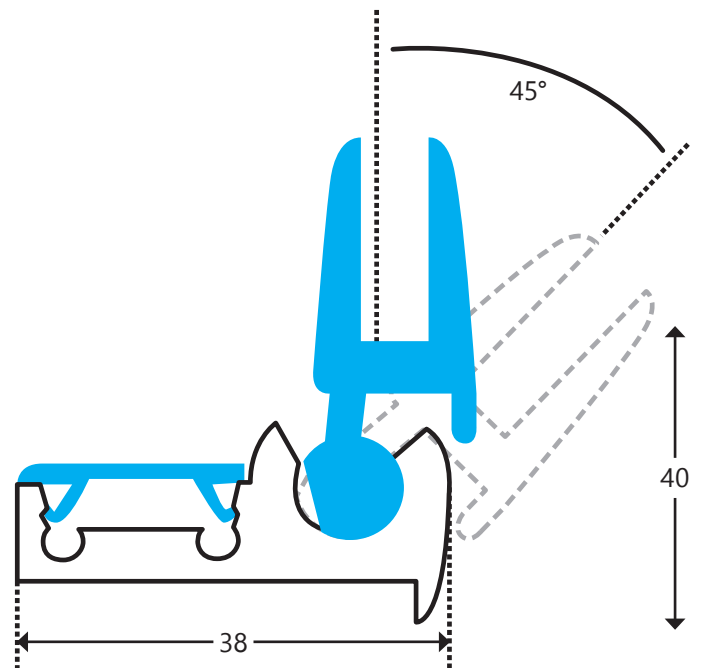


## TILT FORWARD FOR GLASS

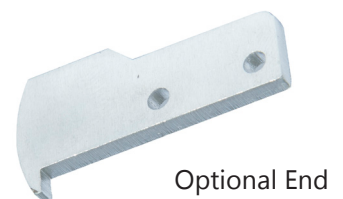
Showmaster tilt forward is the perfect way to fix either curved glass or straight glass to a counter. Available in an anodised aluminium or the more commonly used polished version giving a stainless-steel look. Available in up to 3 metre lengths and with or without the front nib.



Without Nib



With Nib



Optional End

- ▶ Supplied with or without nib
- ▶ Polished or anodised finish
- ▶ Optional end cap
- ▶ Suitable for 6mm glass
- ▶ Available from stock
- ▶ Easy to fix