

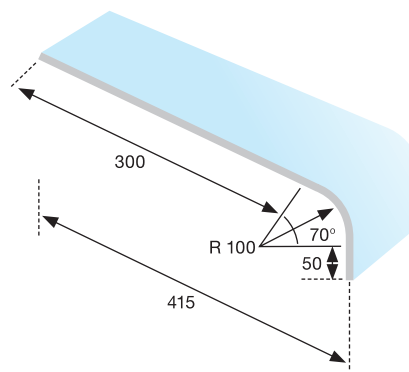
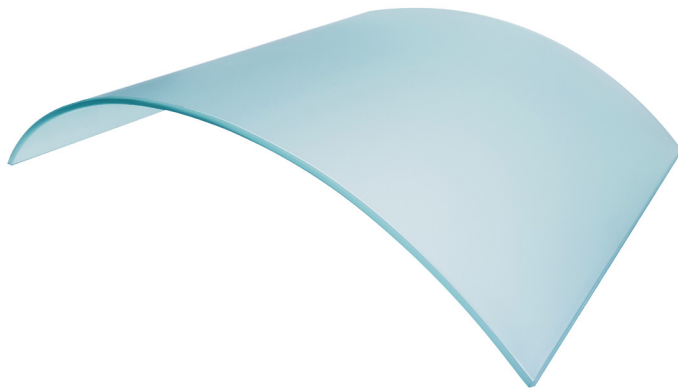
## NON-TOUGHENED SNEEZE OR HIGH GLASS

### THERE ARE ENDLESS OPTIONS FOR CURVED GLASS SHAPES

Showmaster non-toughened glass can be made to almost any dimension, we have the capability to produce glass for sneeze screens and full glass front display cases. Manufactured in our own facility in the UK using our two large kilns and our own unique moulds. We can also bend glasses from your own template, this is especially useful for replacing damaged glass on any display counters.

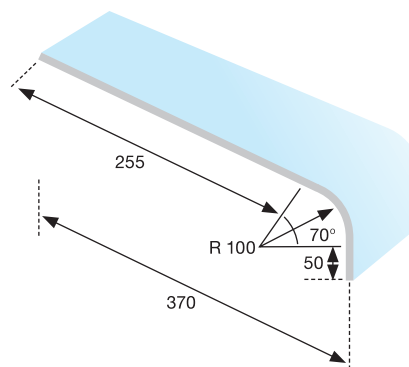
We have many options for curved glass and produce a huge amount of different shapes and dimensions from a simple template. We do have some restrictions on the tightness of bends and most of our glasses are produced in 6mm thickness. We can also manufacture using 8mm and can even do some shallow bends using 10mm glass.

We normally apply a clear safety film to each glass but we also have the option of frosted, mirror or coloured.



### NT303

Non-tempered sneeze screens available up to 2200mm



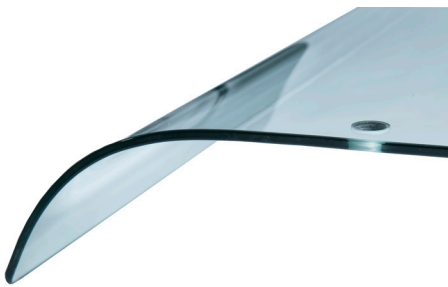
### NT303S

Non-tempered sneeze screens available up to 2200mm

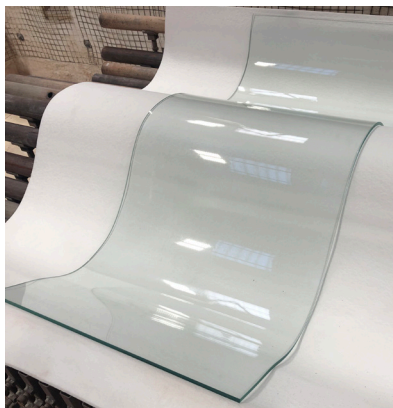
## HOW CAN WE HELP YOU?

Showmaster have been producing curved glass for the majority of OEM's in the UK for over 30 years. Not only can we replicate glass from counters from UK companies we can also produce glass for imported cases.

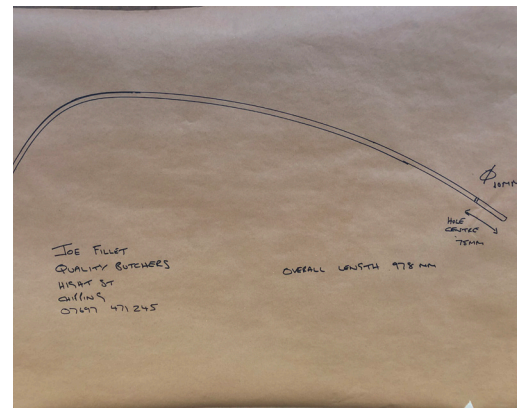
There is no need to throw away a perfectly good display because the counter is obsolete, we can help you out!



Typical Curve



Creative Design



Simple Template

For some types of counter we may know the shape of the glass from the manufacturers name. If this is unknown we can simply produce the glass from a template. By using the piece of glass next to the broken one simply turn this on end resting on a piece of cardboard or brown paper. Draw around the inside and the outside of the curve. Measure the length of the glass and also the position of any holes (plus the diameter) and send this to us. We can then produce a unique mould for your glass and bend this in our specially designed kilns.

Our own glass production is non-toughened and each glass is fitted with a safety film which can be used on both hot and cold counters.



Gas Fired Kiln



Bar Mould



Diamond Drill Holes